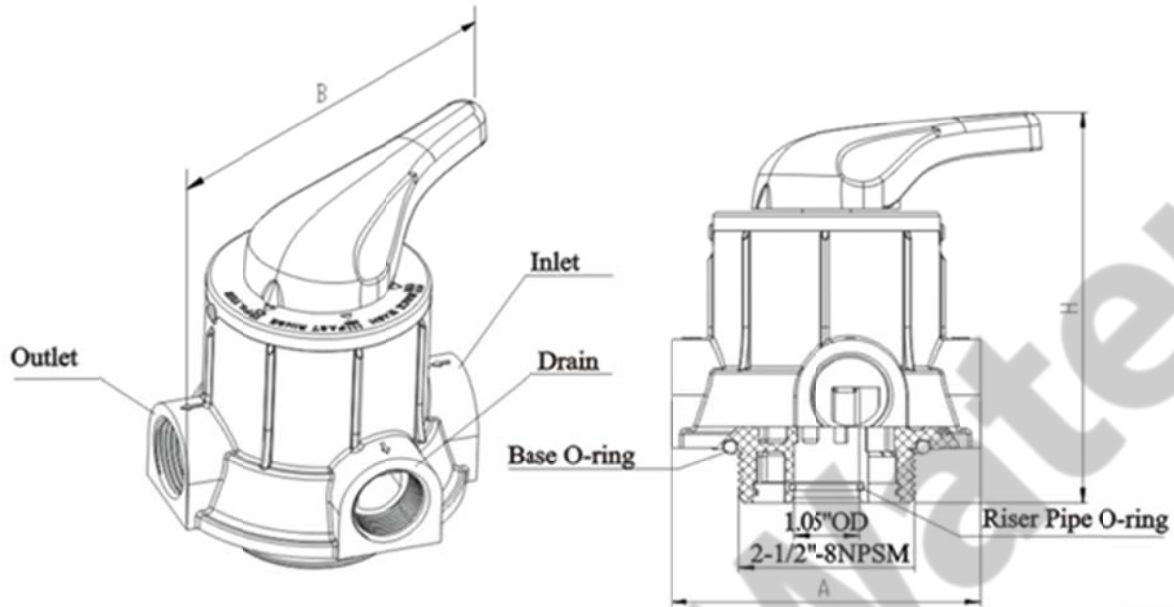


# F56 Manual Head



Max / Min Temperature	5 - 50°C
Max / Min Pressure	1.5 - 6 Bar or 22 – 87 PSI
Max Humidity	< 95% @ 25°C
Inlet Water Quality	< 20 NTU

Dimensions:	A: 126 mm
	B: 150 mm
	C: 158 mm

Riser Tube Connection:	1.05" OD
Vessel Connection:	2.5"-8NPSM
Inlet / Outlet Drain Connection:	
3/4" Version	3/4" BSP Female
1" Version	1" BSP Female
Riser length above vessel neck	2 mm over or up to 5 mm below

These valves can be used in either up flow or down flow by reversing the connections, a screen can be fitted if required but is not supplied as part of the valve (order number is 0208010010) if required.

Control positions:	Filter
	Fast Wash
	Back Wash

What's in the box:	3/4" Version	1" Version
	Control Valve	Control Valve
	Base Seal Ring	Base Seal Ring
	3 x 3/4" Washers	3 x 1" Washers